

USER MANUAL

LASER SAFETY CURTAIN, EXTENDABLE FRAME WALL-MOUNTABLE

⚠ WARNING! Please read these instructions before assembling and using the curtain frame for the first time.

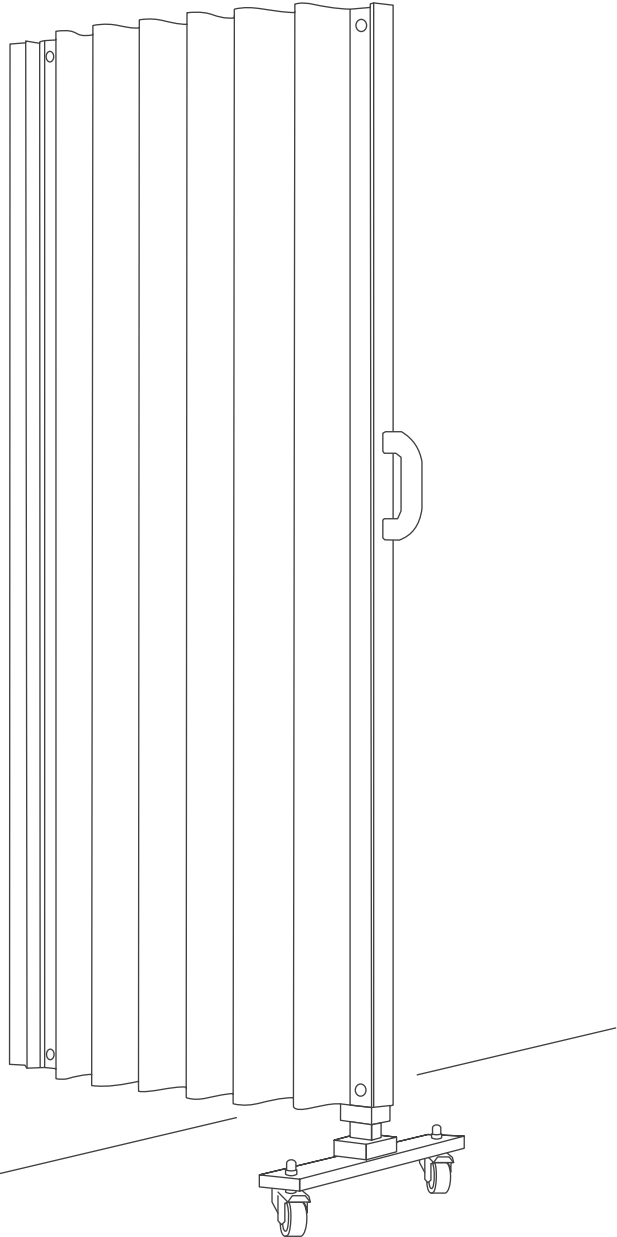


CE DIN EN ISO 25980:2014
EN 12254

Item no.: 220-BUD-G-ZW

PROTECT-Laserschutz GmbH

<https://protect-laserschutz.de>
info@protect-laserschutz.de



UM-ECWM-EN-14112025_web



1. WARNING

1.1 Important note

Before using and installing your purchased side awning, please read the operating instructions carefully, and keep them for reference in case you have any questions later. The laser safety curtains are largely maintenance-free. However, if the awning malfunctions, please notify us immediately. Never attempt to repair the malfunction yourself.

1.2 Danger of injury

When handled properly, there is no danger of injury, as there is no tensile or compressive stress on the awning.

1.3 Intended use, disclaimer

PROTECT-Laserschutz GmbH accepts no liability whatsoever for improper installation or handling of the curtain and its frame.

2. PARTS LIST

2.1 Scope of delivery

Parts	pcs
U-profile wall mounting strip	1
Side awning	1
Dowel, Ø 10 mm	3
Screws, 90 mm	3
Spacer block	3

3. ASSEMBLY INSTRUCTIONS

3.1 Preparatory measures



ATTENTION: The dowels and screws supplied are not suitable for mounting on walls with external insulation.

Please check the delivery for transport damage and completeness. If you encounter any problems, please contact us by

email at: info@protect-laserschutz.de

or by phone at: +49 911 9644 31-0

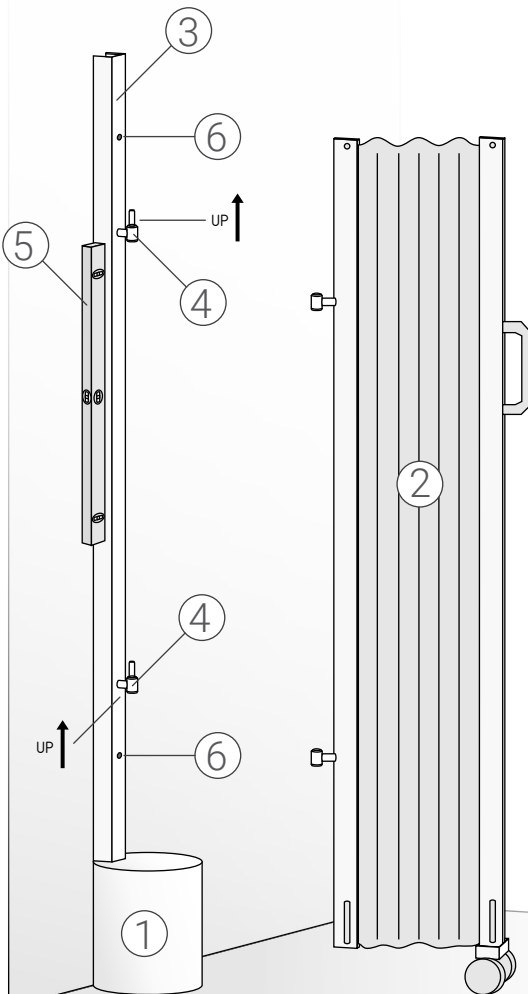
3.2 Required tools

- Power drill
- Spirit level
- Stone drill bit or wood drill bit, \varnothing 10 mm
- Marking pen
- 13 mm wrench

3.3 Installing

3.3.1 Preparation

After unpacking the curtain, remove the spacer block (1) and place it on the floor at the point where you want to attach the awning (2).

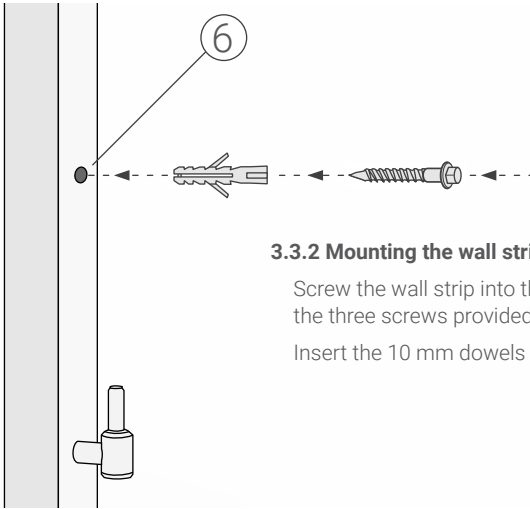


Take the wall bracket (U-rail, 3) with the screw-in brackets (4, facing upwards) that is included separately in the packaging and place it on the spacer block.

Take your spirit level (5), place it vertically against the wall bracket and align the wall bracket horizontally.

Once the wall bracket is level, use a pen to mark the drill holes (6) in the wall bracket on the wall.

Now drill the marked holes in the wall using a 10 mm drill bit.



3.3.2 Mounting the wall strip

Screw the wall strip into the existing wall dowels using the three screws provided and a 13 mm wrench.

Insert the 10 mm dowels into the pre-drilled holes (6).

3.3.3 Hanging the awning

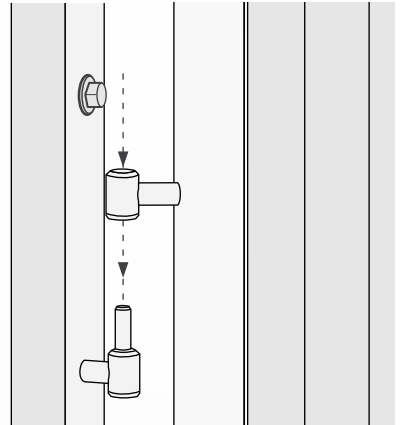
Hang the awning into the screwed-on wall rail with the hooks facing upwards.

3.3.4 Removing the fastening strap

Remove the fastening strap from the awning.

3.3.5 Joining the Velcro fasteners

Join the Velcro fasteners on both sides of the awning to the corresponding Velcro fasteners on the wall mounting.



3.4 Testing

Testing

Please check that the wall mount is securely fastened.

Extend and retract the awning.

Check whether the brake wheels can be locked.

WARRANTY

The sole obligation of PROTECT-Laserschutz GmbH is to repair or replace such parts or products with material or manufacturing defects free of charge within the warranty period or to refund the purchase price.

This warranty does not cover damage caused by improper handling, misuse, or use other than that recommended in the user manual. If you encounter a problem during the warranty period, contact your dealer and send in the defective parts together with the completed fault report, if necessary.

Thank you for choosing our product!

Please fill out the following form for future reference:

ORDER NUMBER:

DATE OF PURCHASE:



UM-ECWM-EN-14112025_web

PROTECT
LASERSCHÜTZ GMBH



PROTECT-Laserschutz GmbH

<https://protect-laserschutz.de>

info@protect-laserschutz.de

Tel.: +49 911 9644 31-0

Muehlhofer Hauptstr. 7

90453 Nuremberg

Germany